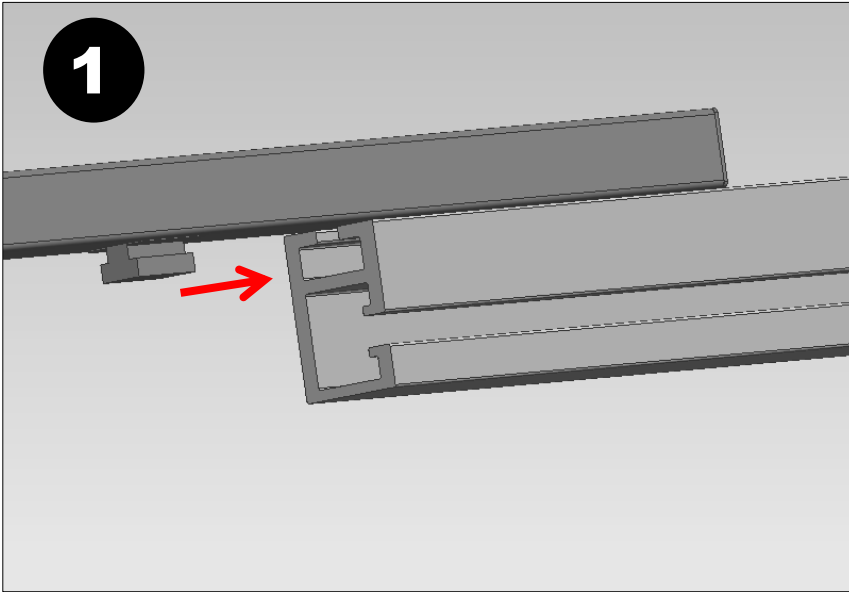
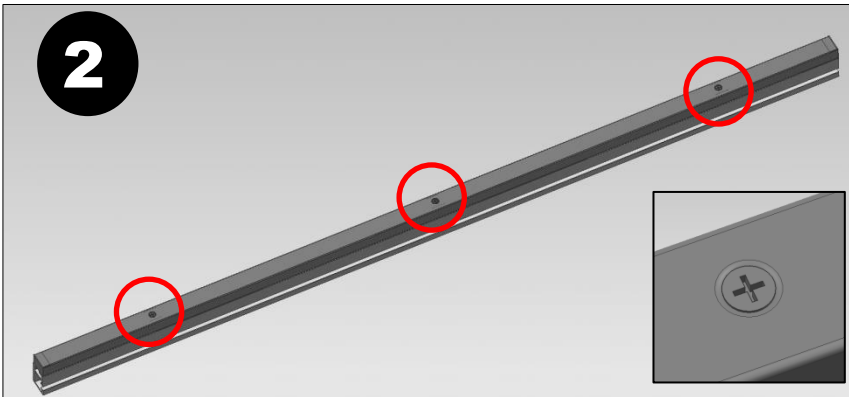


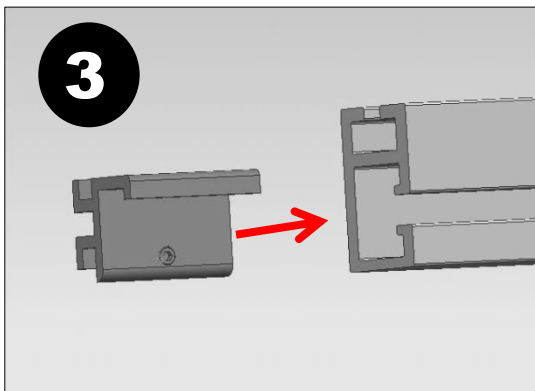
Hard Tri-Fold Tonneau Installation Instructions



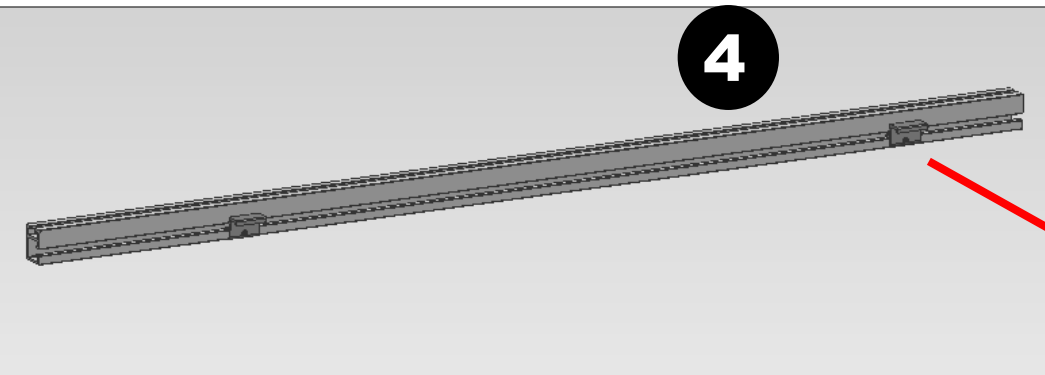
1. Install the side channel on the rail, both sides is same.



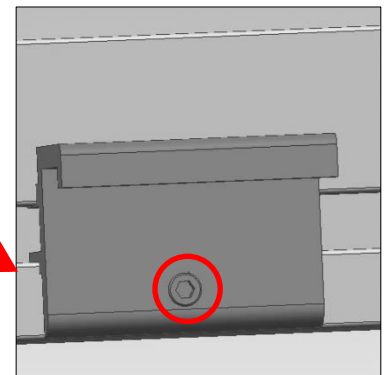
2. After installation, tighten 3 screws.



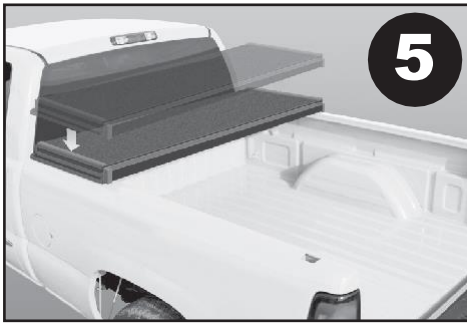
3. Put rail bracket into the side channel, 2 pcs for each sides.



4. Slide the bracket to appropriate position, tighten the screw.



Hard Tri-Fold Tonneau Installation Instructions

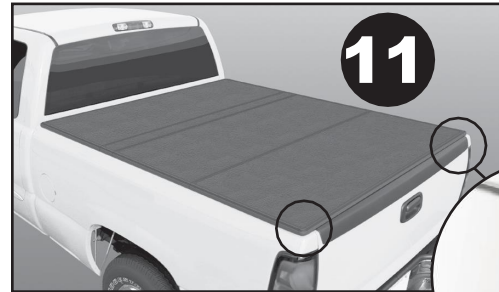


5

5. Place the cover on front of truck bed.



Place dust seal between cab and truck bed.



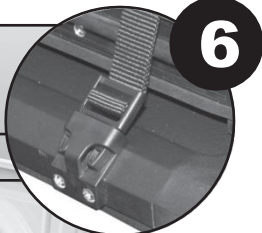
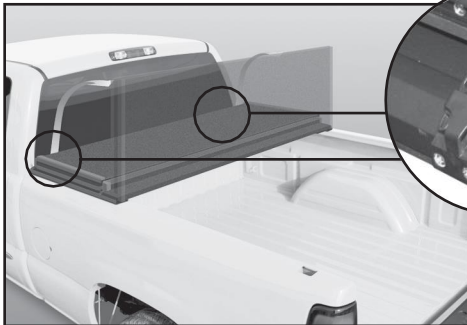
11

11. Cover is laying down flat.



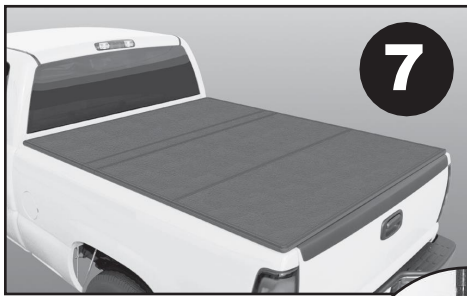
12

12a. Secure tailgate clamp hooks for a snug



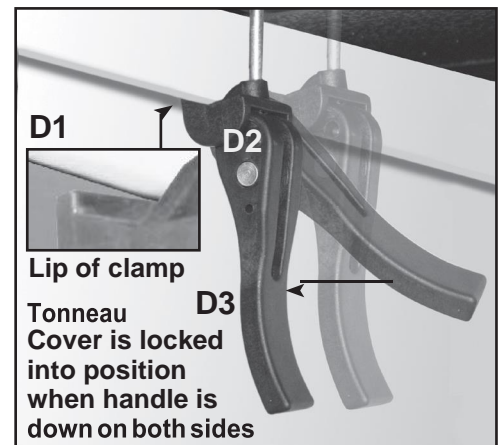
6

6. Undo both tie-down straps so cover can be unfolded.



7

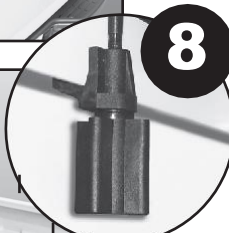
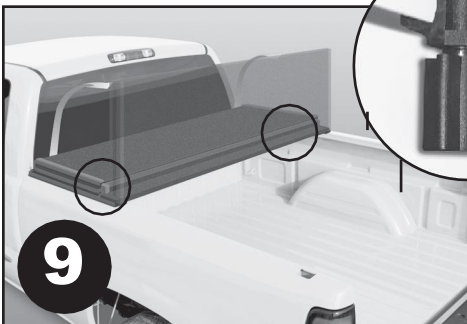
7. Unfold the cover all the way open to align cover on the truck bed rails before clamping.



Lip of clamp

Tonneau Cover is locked into position when handle is down on both sides

12b. To clamp cover down, put lip of clamp hooks under the side metal bed rail and push handle down. (See D1, D2, D3)



8

8. Secure cab clamp hooks under the metal bed rail. Toyota Models Only - Tighten lock nut at bottom of knob.



9

9. Unfold first section.



10

10. Unfold second section.

IMPORTANT

DO NOT remove foam blocks. They protect surface of panel when folding. Voids Warranty.



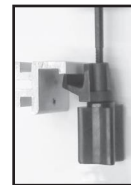
How To Adjust Clamps

- To adjust, turn clamp hook clockwise to tighten or counter clockwise to loosen.

13. Vehicles With Utility Track

A. Slide aluminum blocks into track, position and tighten set-screw.

B. Secure cab and tailgate clamp hooks on to aluminum blocks.



Cab



Tailgate

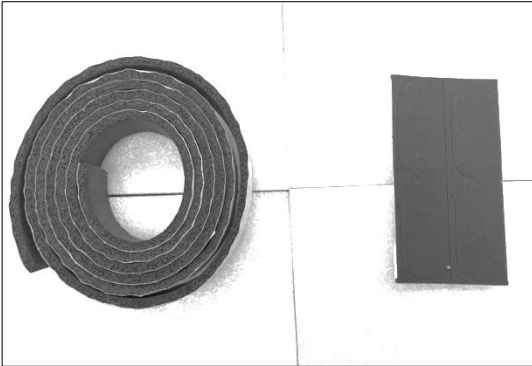
14. Paint Protectors

A. Apply to inside metal bed rail at each latch location

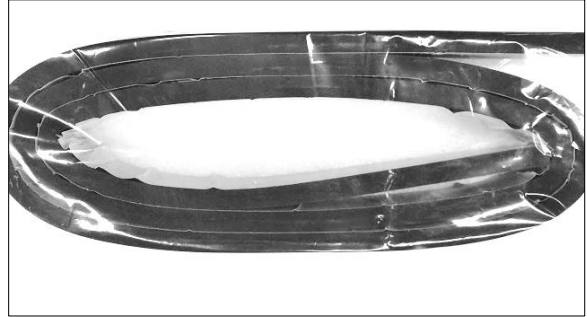
Hard Tri-Fold Tonneau Installation Instructions

Seal Instruction

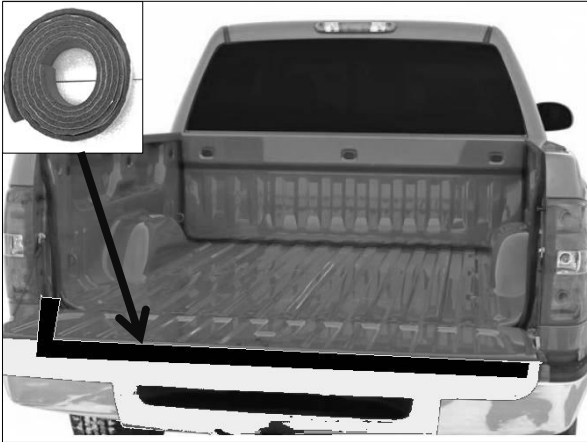
15a. For below seal you received



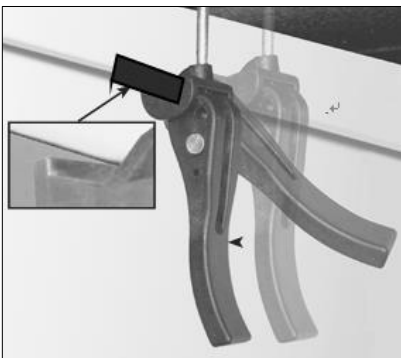
- ① The seal on above photo (L), put it on tailgate door.
(As the photo shows below)



Put on this seal on bulkhead if it is not flat, to make the bulkhead can full contact with the tonneau cover.



- ② Another seal put on the clamp to avoid any scratches happen while touching the car body.



15b. For below seal you received