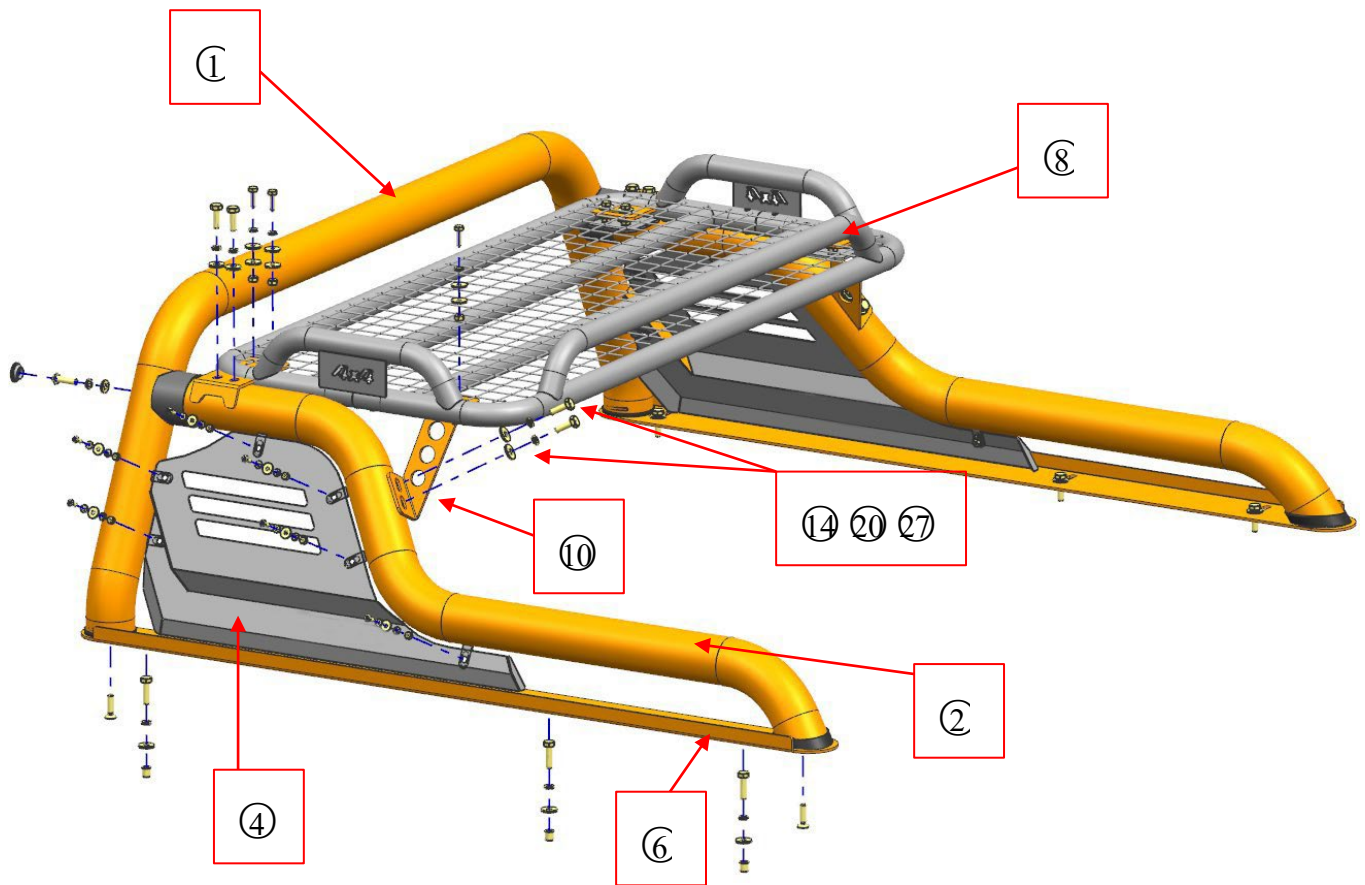
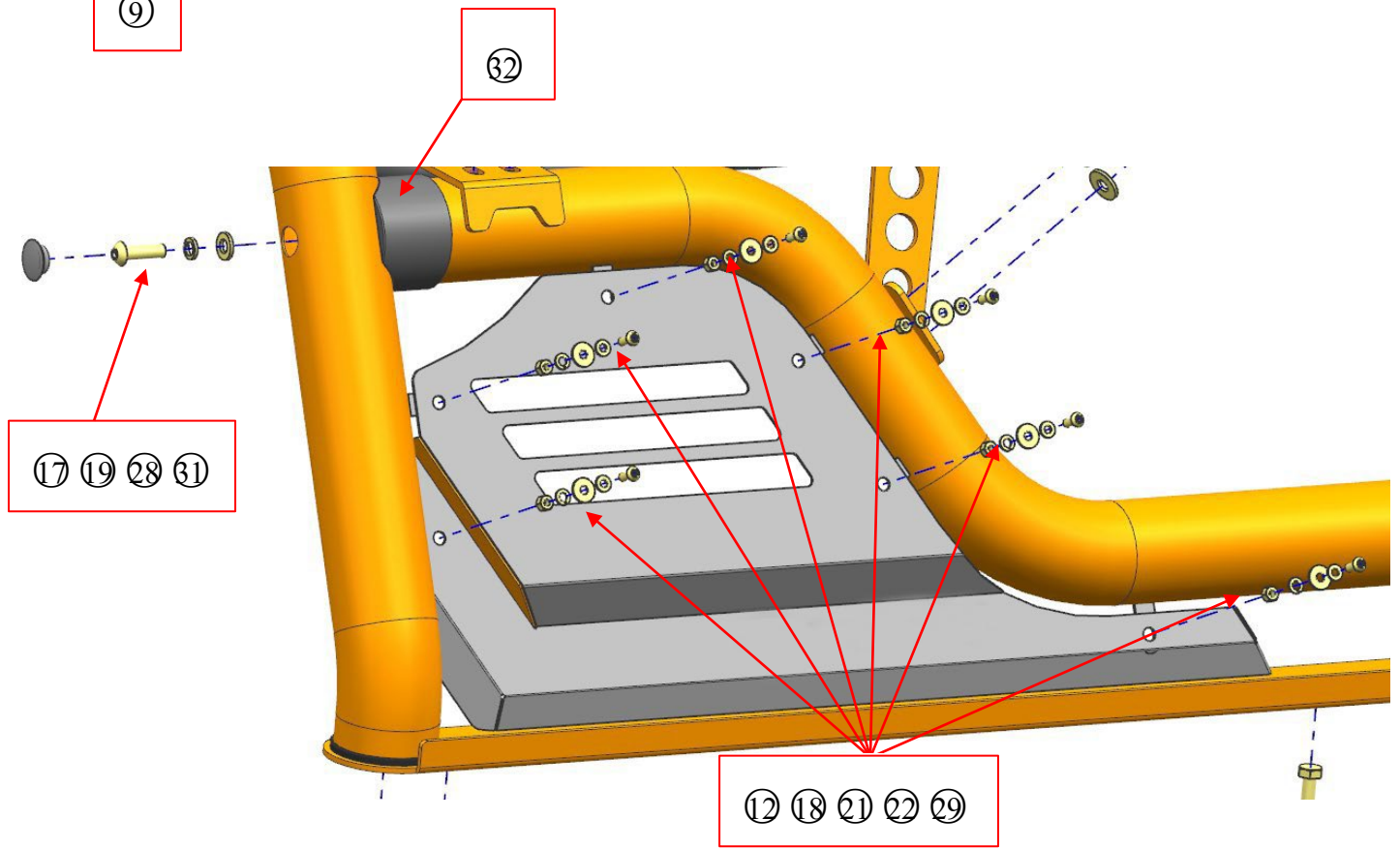
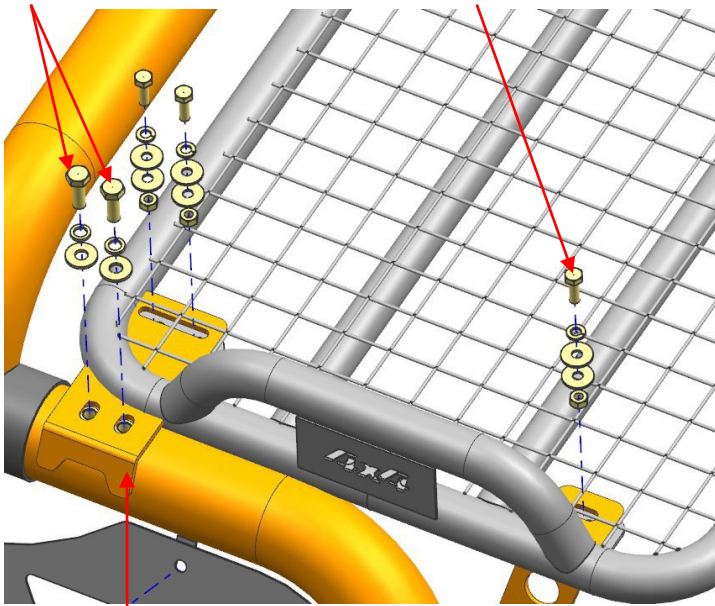


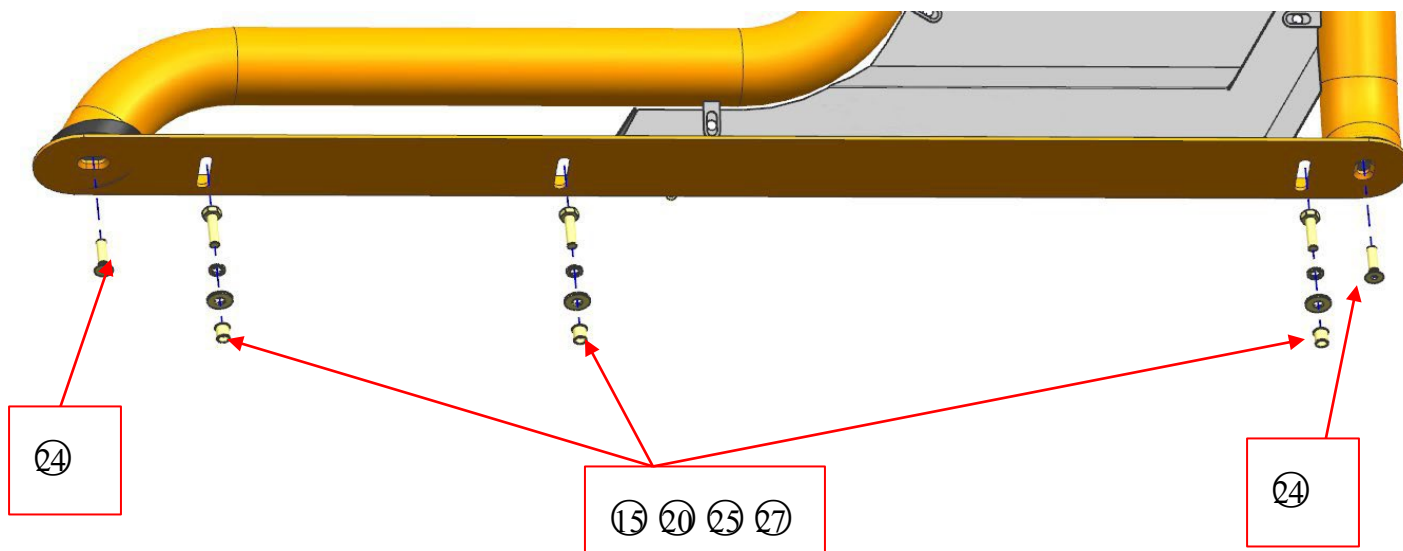
|   |       |   |        |    |      |   |         |
|---|-------|---|--------|----|------|---|---------|
| ⑭ | 六角头螺栓 | 8 | M10*30 | ⑧⑩ | 弹簧垫圈 | 6 | φ8      |
| ⑮ | 六角头螺栓 | 6 | M10*35 | ⑪  | 胶塞   | 2 | φ22 橡胶  |
| ⑯ | 六角头螺栓 | 6 | M8*25  | ⑫  | 胶套   | 2 | φ76 PA6 |

备注：左右两边支架安装方式一样。

### 三、安装示意图INSTALLATION MAP







#### 四、安装步骤 INSTALLATION PROCEDURE:

第一步：参考配件清单和配图检查配件是否齐全。

Step 1: Refer to the accessories list and pictures to check whether the accessories are complete.

第二步：参考车底孔位图分别安装左支架和右支架。

Step 2: Refer to the bottom hole diagram to install the left bracket and the right bracket respectively.

第三步：把杠体安装在支架上然后根据杠体的位置调节支架的安装位置。

Step 3: Remove the Mud from bottom, fixing the bracket on the bottom.

第四步：检查各个标准件是否上齐，接着拧紧各标准件

Step 4: Double check the accessories are complete and tighten.

五、免责声明：由于安装及使用不当而引发的相关问题及损失，不在我公司的质保范围内。

Disclaimer: Related problems and losses caused by improper installation and use are not covered by our company's warranty.