

**CB/GT/S6/S5 RUNNING BOARD BRACKET FOR NISSAN
FRONTIER NP300 22-23**

Before Installation

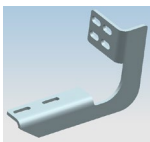
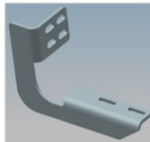
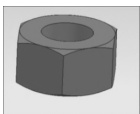

- Please read the instruction completely for easy installation, which will also help you to avoid scratches or other potential damages to your appealing car.
- The figures here are for reference only and may have differences with the actual product you received, however they share the same assembly way.



Care and Cleaning

- Mild soap may be used also to clean the Product.
- Please periodically check and retighten all the hardware and clean the investment for a refresh look.

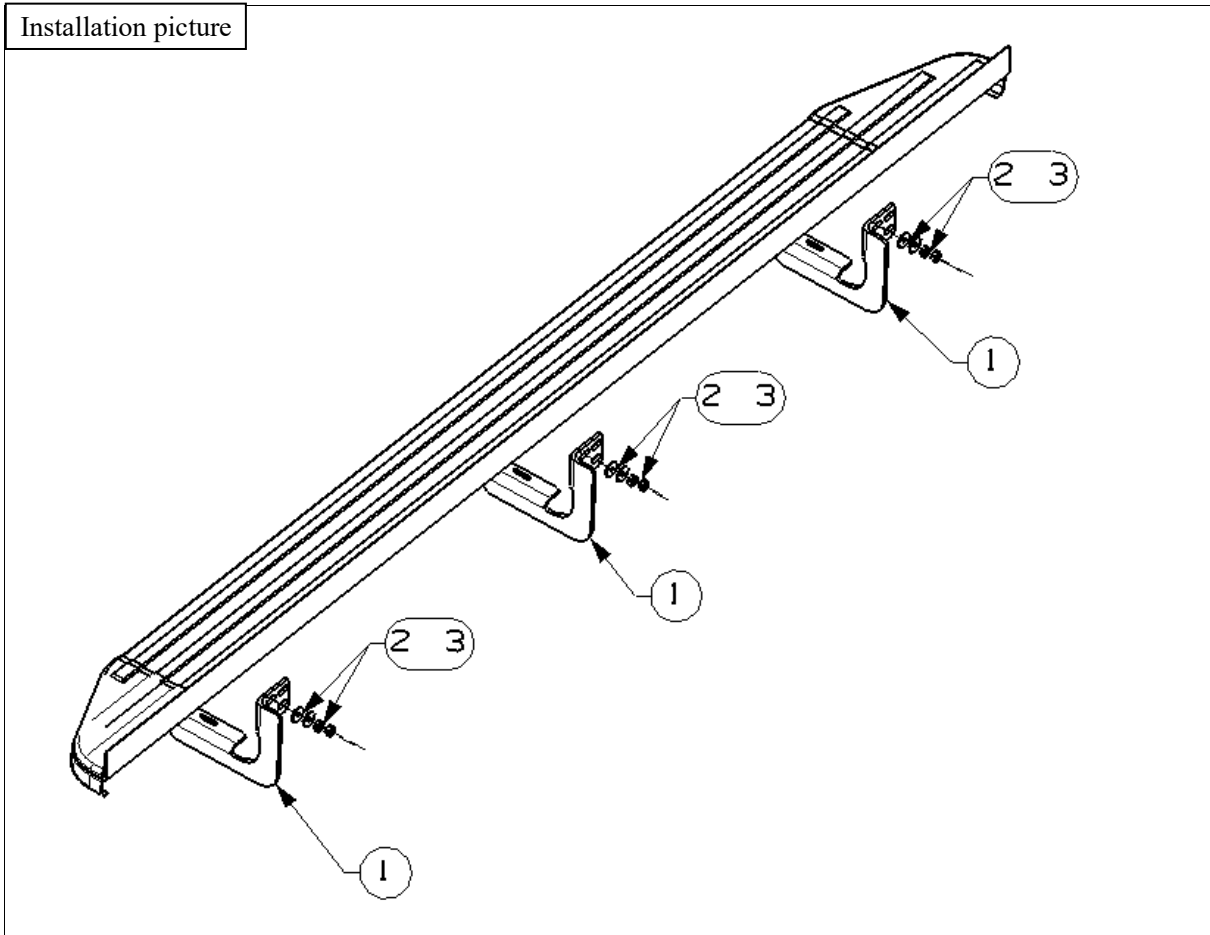
Parts list

No.	QTY	Name	No.	QTY	Name
①	3	 Left Bracket	②	3	 Right Bracket
③	12	 Hex Nut M8	④	12	 Flat washer D8 (8x24x2mm)

INSTALLATION INSTRUCTIONS

Installation Steps

Installation picture



Step 1: Check all the contents are available in accordance with the above list.

Step 2: Install the bracket and side bar in vehicle bottom. (Installation picture, Fig.1, Fig.2)



Fig.1



Fig.2

Step 3: Test and make sure that the side bar is steadily fixed, and then tighten all the hardware.

Step 4: Installation is finished.

NOTE

Any damages and losses caused by improper installation and application, goes beyond our quality warranty.