

INSTALLATION INSTRUCTIONS

PART# EWCPC19

HD2 SIDE STEP FOR CHEVY SILVERADO CREW CAB 19+

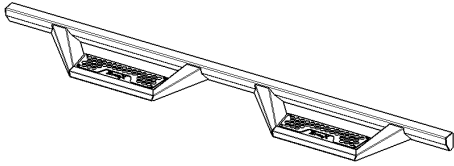
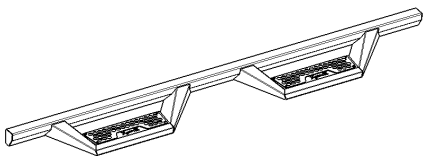
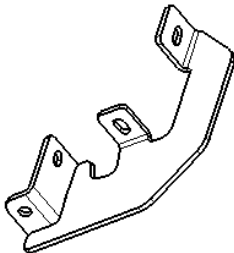
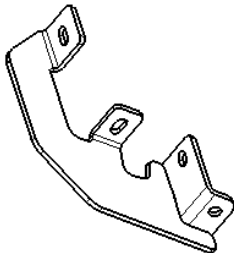
Before Installation

- Please read the instruction completely for easy installation, which will also help you to avoid scratches or other potential damages to your appealing car.
- The figures here are for reference only and may have differences with the actual product you received, however they share the same assembly way.



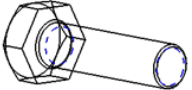
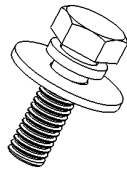
Care and Cleaning

- Mild soap may be used also to clean the Product.
- Please periodically check and retighten all the hardware and clean the investment for a refresh look.

Parts list

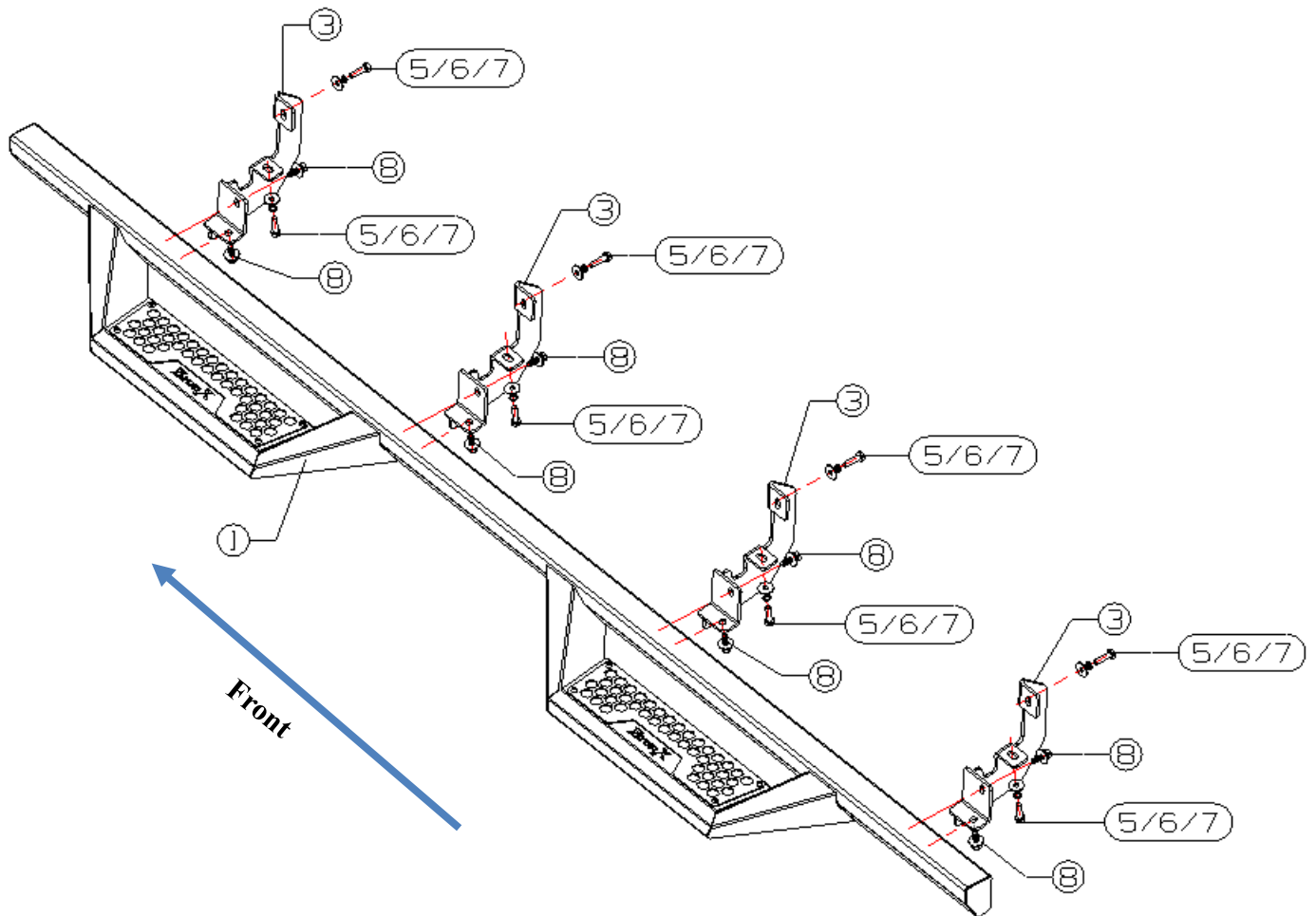
NO.	QTY	PIC	NO.	QTY	PIC
①	1	 Side step (L)	②	1	 Side step (R)
③	4	 Bracket (L)	④	4	 Bracket (R)

INSTALLATION INSTRUCTIONS

⑤	16	 Spring washer D8	⑥	16	 Large washer D8
⑦	16	 Hexagon head bolts (full thread) M8_30	⑧	16	 Hex head bolt, spring washer and large washer assembly M8_25

Installation Steps

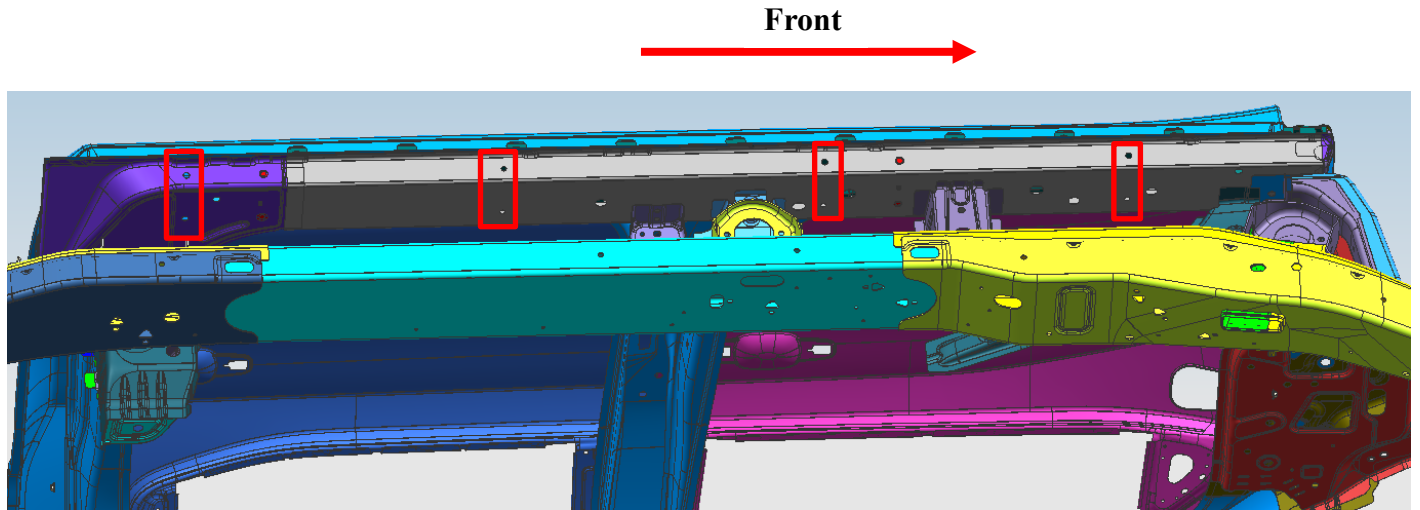
Installing picture



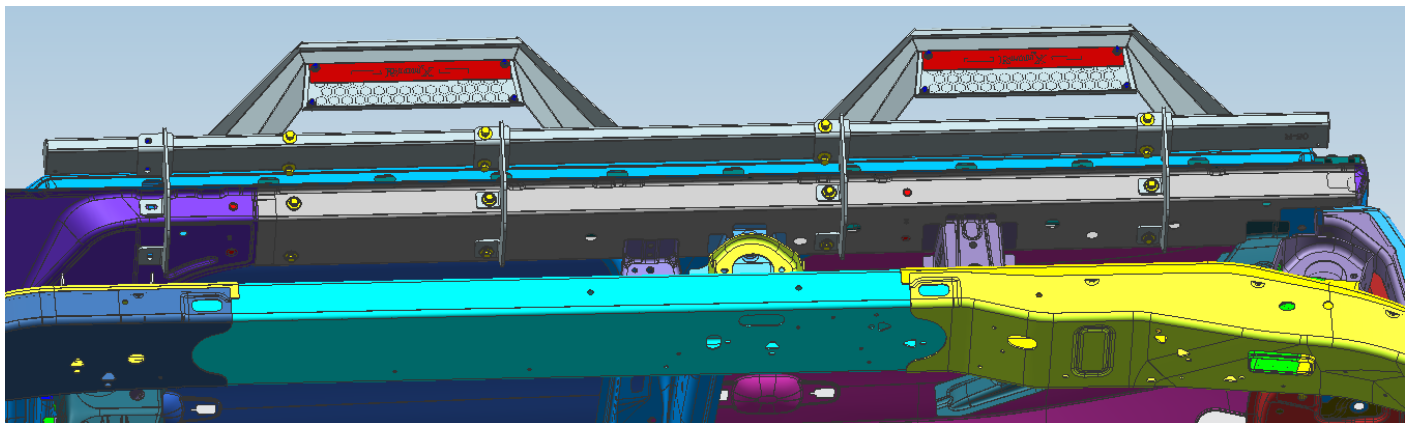
INSTALLATION INSTRUCTIONS

Step 1: Verify that all parts are present according to the manual.

Step 2: Find the following 4 sets of mounting points with threaded holes on the inside of the original car.



Install the bracket on the original car in turn, and then adjust the side step to a suitable position to install with the bracket, and the left and right are consistent.



Step 3: Test and make sure that the grille guard is steadily fixed, fully tighten all hardware.

Step 4: Installation is finished, pick up all tools.

NOTE

Any damages and losses caused by improper installation and application, goes beyond our quality warranty.