

# INSTALLATION INSTRUCTIONS

PART#EWFPFD12

## BRACKET FOR 85" RATTLER STEEL SIDE STEP FOR FORD RANGER DOUBLE CAB 16-22

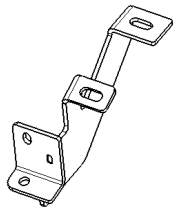
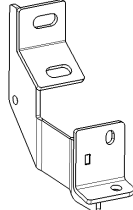
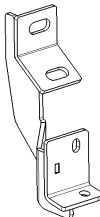


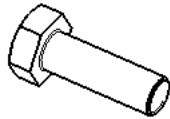
### Before Installation

- Please read the instruction completely for easy installation, which will also help you to avoid scratches or other potential damages to your appealing car.
- The information shown here is for reference only and may differ from the product that you receive, however the goods are fitted in the same way.

### Care and Cleaning

- Mild soap may be used also to clean the Product.
- Please periodically check and retighten all the hardware and clean the investment for a refresh look.

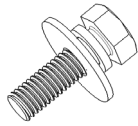
### Parts list

NO.	QTY	PICTURE	NO.	QTY	PICTURE
①	2	 Front Bracket (L/R)	②	2	 Middle Bracket (L/R)
③	2	 Rear Bracket (L/R)	④	12	 Spring Washer D10
⑤	12	 Large Washer D10 (10x30x2.5mm)	⑥	12	 Hex Head Bolt M10_30

## INSTALLATION INSTRUCTIONS

⑦

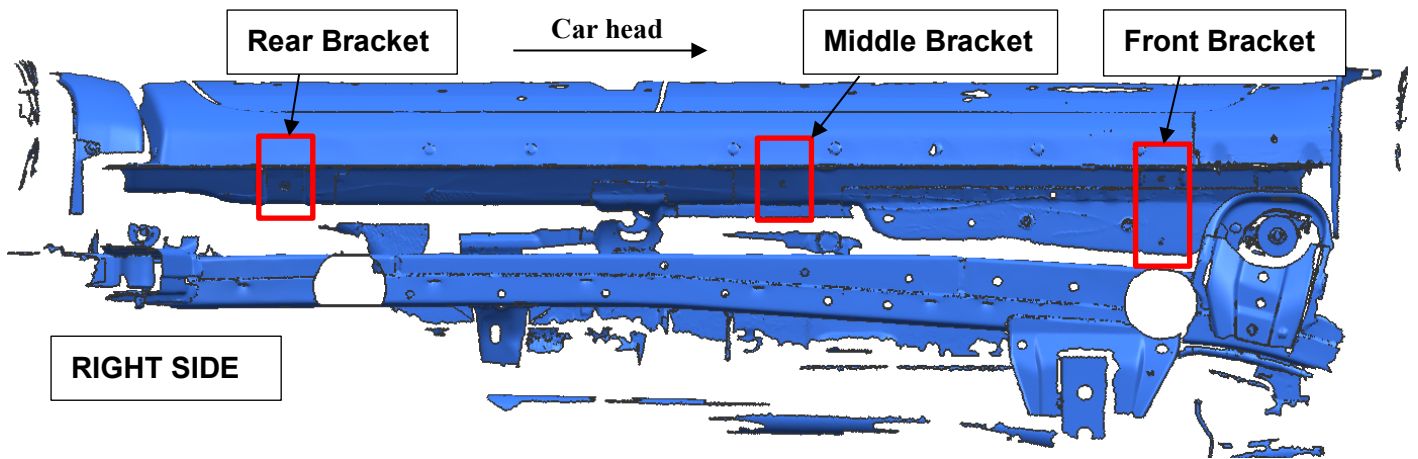
12



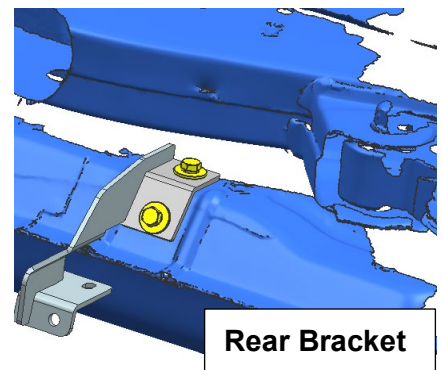
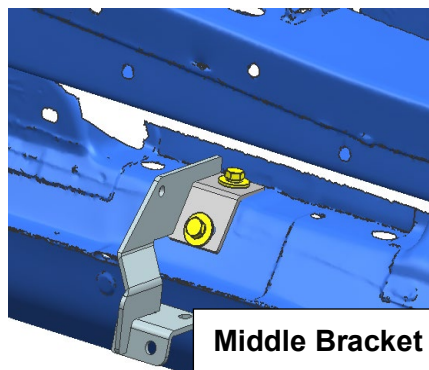
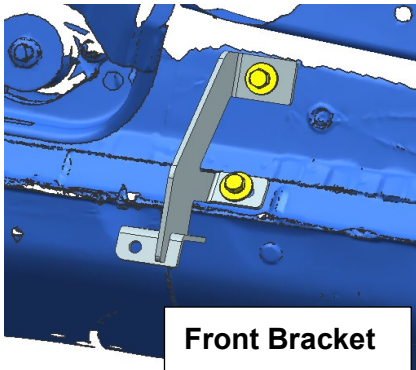
Combo Bolt M8\_25

### Installation Steps

Step 1: Verify all parts are present, finding the corresponding bracket installation position at the bottom of the vehicle.

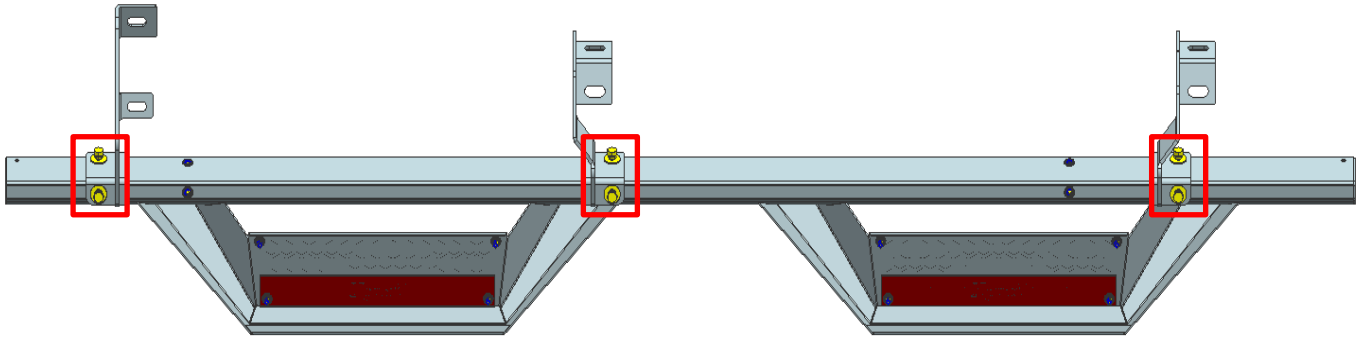


Step 2: Install the bracket at the corresponding position with ④ ⑤ ⑥.

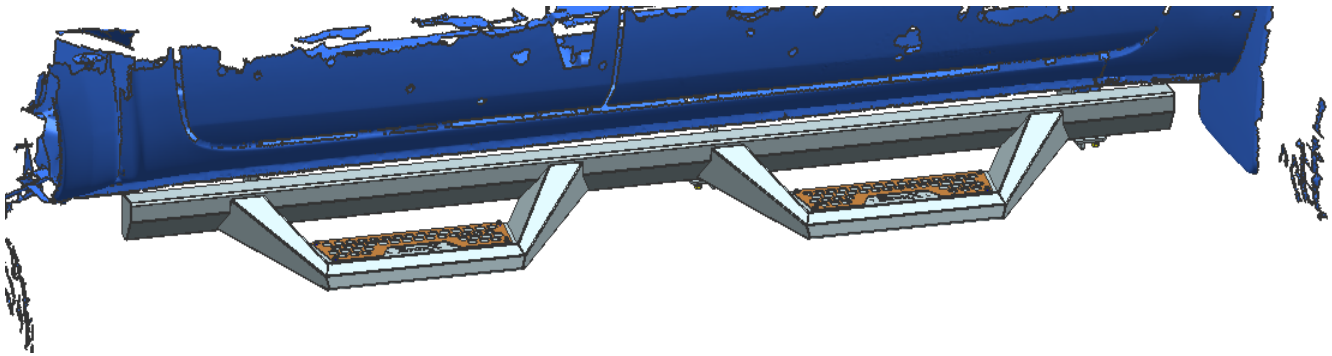


Step 3: After adjusting the side step to the proper position, connecting the bracket and side step with ⑦, and locking all standard parts.

## INSTALLATION INSTRUCTIONS



Step 4: Installation is finished, pick up all tools.



### NOTE

Any damages and losses caused by improper installation and application, goes beyond our quality warranty.