

INSTALLATION INSTRUCTION
PART# EWTPHD16; EWTXHD16
PNC SIDE STEP FOR HILUX REVO 2015

NOTICE:

- ≡ The figures here are for reference only and may have differences with the actual product you received, however they share the same assembly way.
- ≡ Please read the instruction completely for easy installation, which will also help you to avoid scratches or other potential damages to your appealing car.
- ≡ Please periodically check and retighten all the hardware and clean the investment for a refresh look.

PARTS LIST:

No.	Name	Qty	Remarks	No.	Name	Qty	Remarks
①	Side bar	2		⑦	Rear bracket(R)	1	
②	Front bracket(L)	1		⑧	Hex nut	2	M8
③	Middle bracket(L)	1		⑨	Bolt assembly(black zinc coating)	22	M8-25
④	Rear bracket(L)	1		⑩	Standard spring washer	2	D8
⑤	Front bracket(R)	1		⑪	Large wahser	2	D8
⑥	Middle bracket(R)	1					

ASSEMBLY PROCEDURE:

Step 1: Check all the contents are available in accordance with the above list.

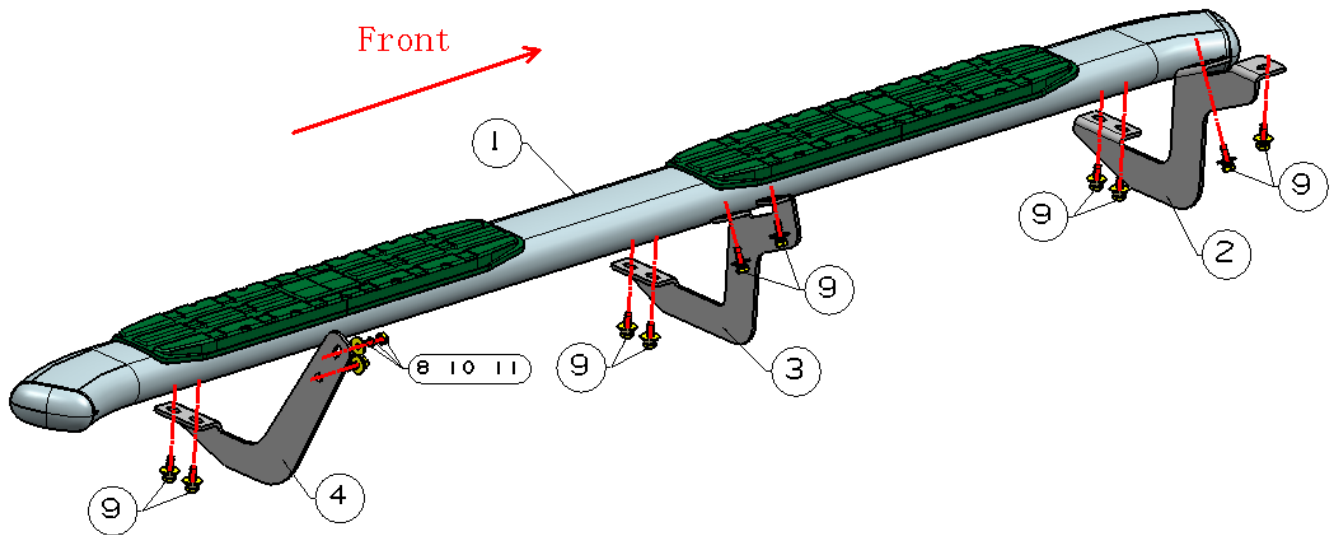
Step 2: Install the Front Brackets and Rear Brackets on vehicle bottom using the hardware⑧⑩⑪ and ⑨ as Pic1

Step 3: Install the Side bar on the vehicle using the hardware⑨ as Pic1

Step 4: After checking for proper clearance and alignment of the side bar on the vehicle, fully tighten all hardware.

INSTALLATION INSTRUCTION
PART# EWTPHD16; EWTXHD16
PNC SIDE STEP FOR HILUX REVO 2015

Pic1



DISCLAIMER: We are not responsible for any quality problems caused by improper installation and use.