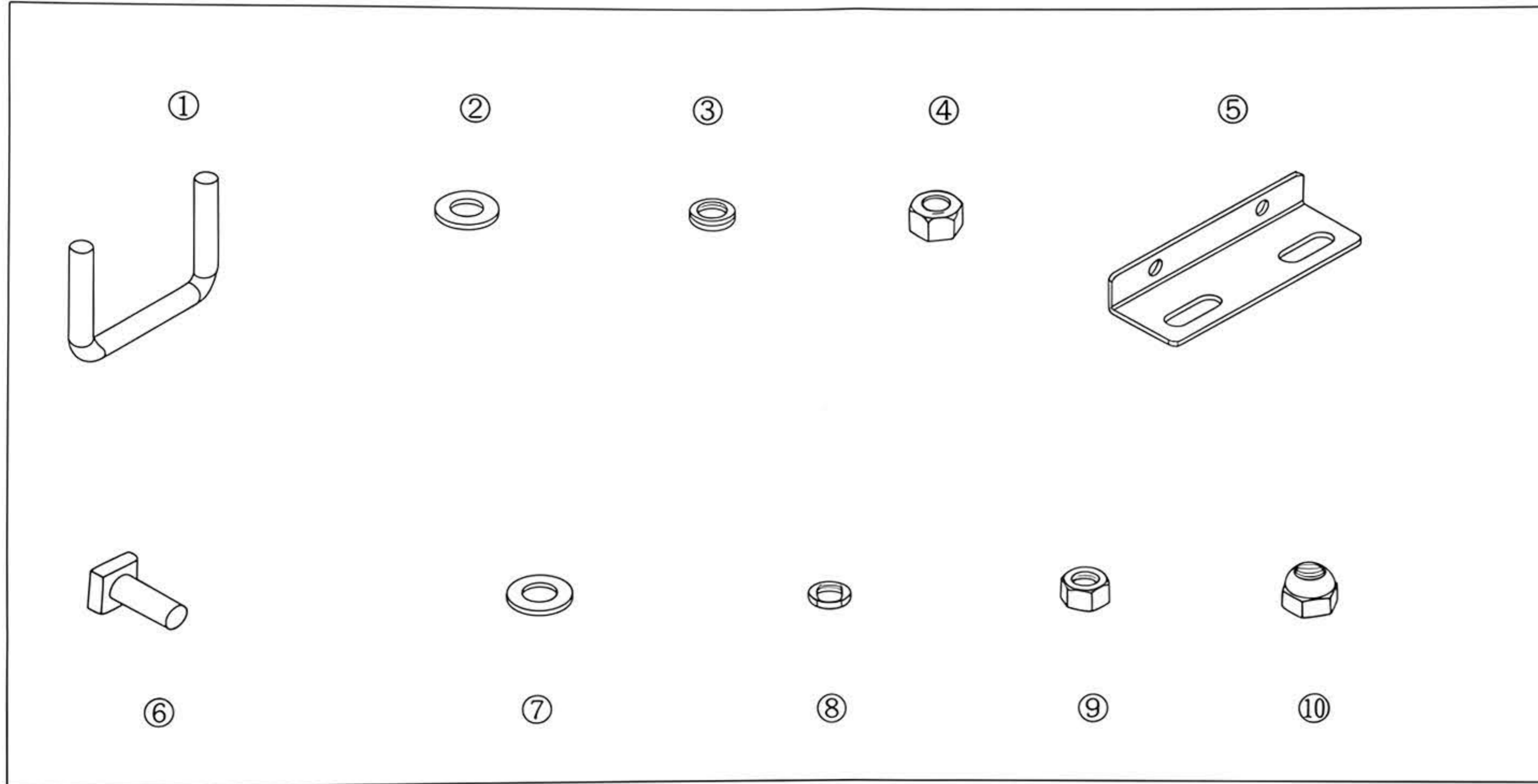


**INSTALLATION INSTRUCTIONS
BRACKETS FOR ROOF RACK
PART NO. PW000624**

Part list:

No.	Name	Qty	Remarks	No.	Name	Qty	Remarks
①	U-bolt	4	M10	⑥	Square-head bolt	8	M6×15
②	Flat washer	8	10mm	⑦	Flat washer	8	6mm
③	Spring washer	8	10mm	⑧	Spring washer	8	6mm
④	Hex nut	8	M10	⑨	Hex nut	8	M6
⑤	Bracket	4		⑩	Nut	8	M10

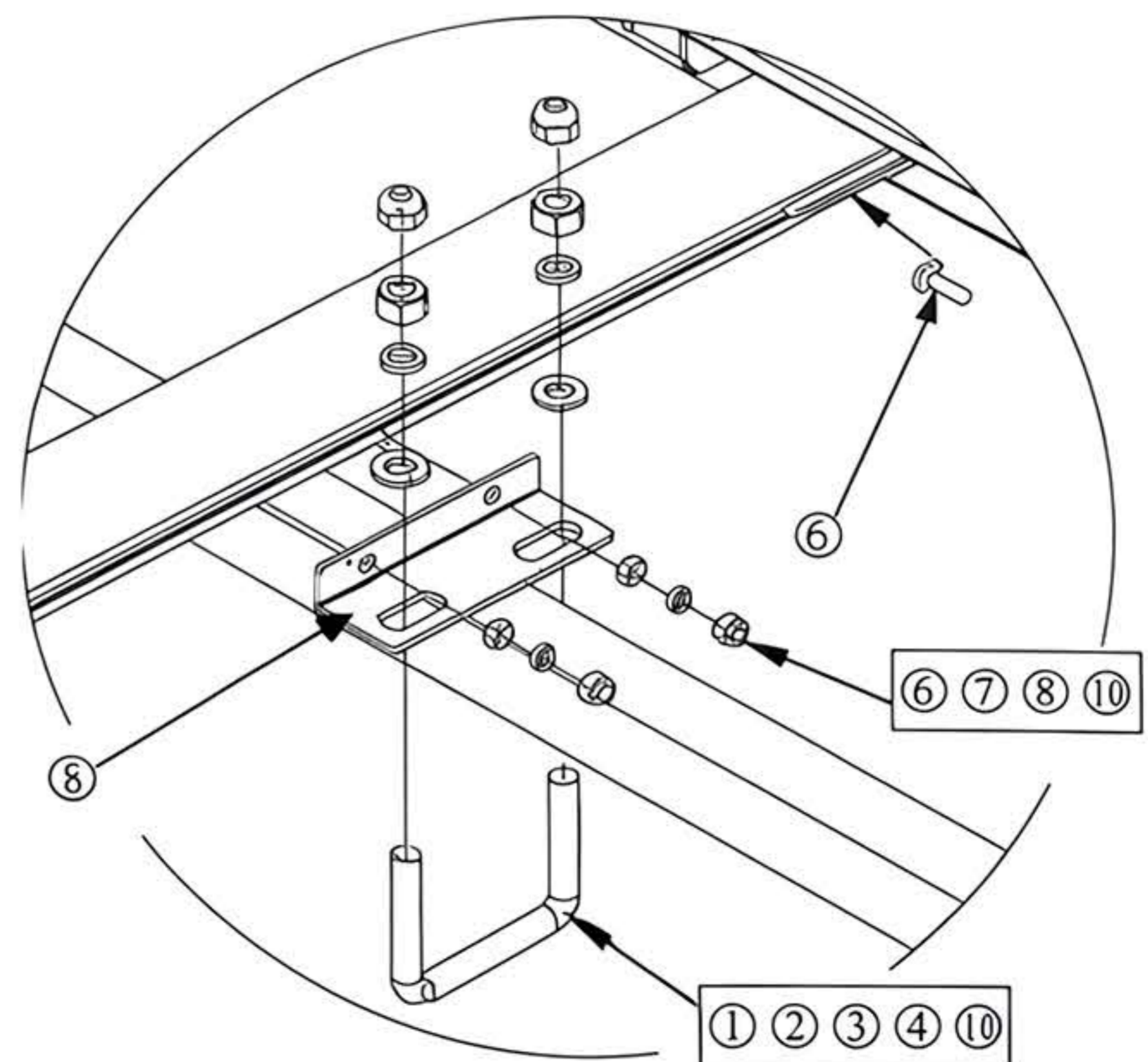


Note : Please read this information before installation.

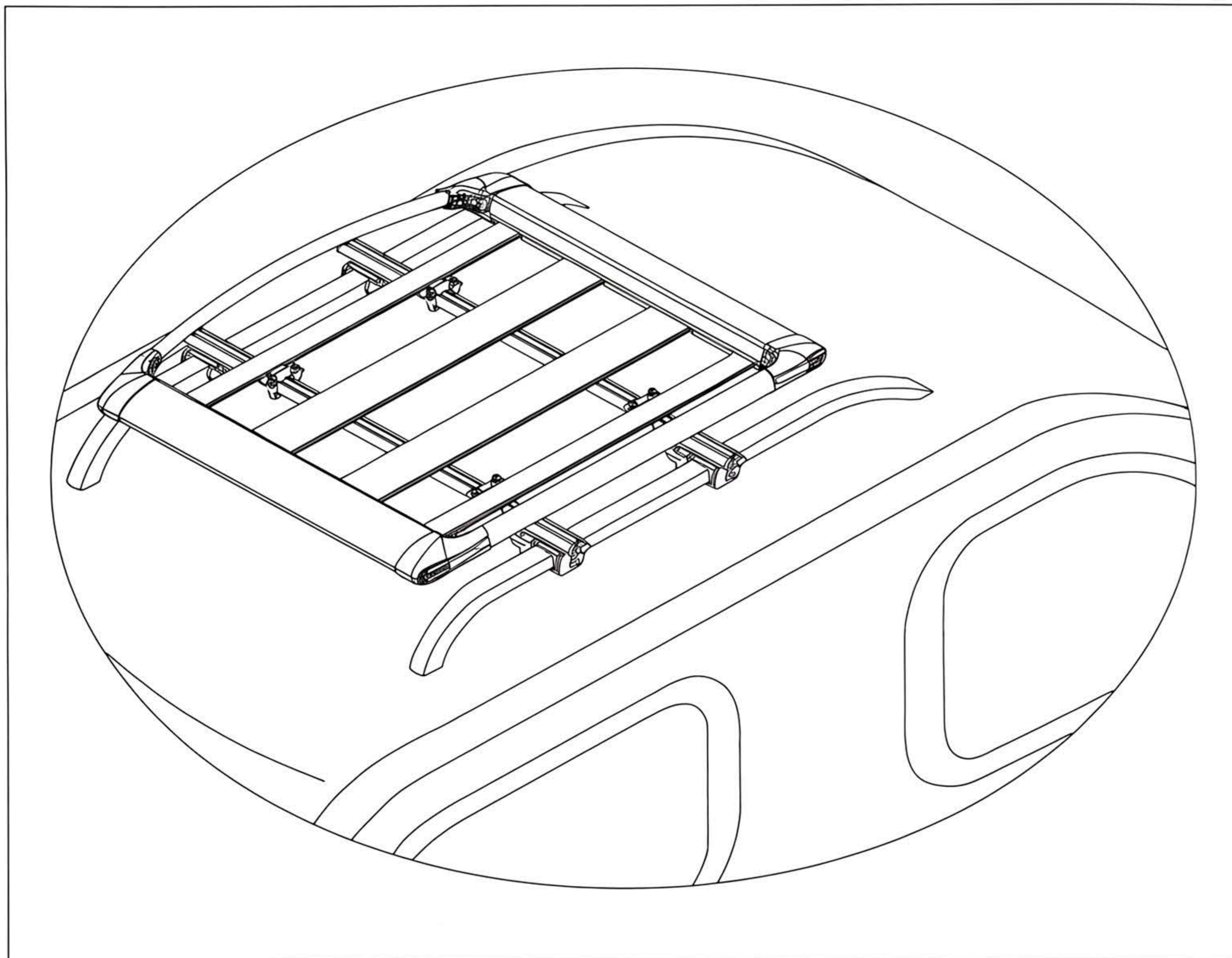
Step one: Locate the square-head bolt to the groove of the bottom plate. Using a 6mm spring washer, a 6mm flat washer, and an M6 hex nut, attach the rack to the bottom plate.

Step two: Place the roof rack on the roof rail of the vehicle and loosely install it to the proper position with the 10mm spring washer, 10mm flat washer, and M10 hex nut and U-bolt.

Step three: Please check and retighten the hardware as necessary.



**INSTALLATION INSTRUCTIONS
BRACKETS FOR ROOF RACK
PART NO. PW000624**



Step four: Test and make sure that the roof rack is steadily fixed.

Step five: Installation is finished.